

AXOR Starck

Axor Starck Electronic Faucet with Preset Temperature Control

Finishes : **chrome** Part no. : **10106001**



Description

Features

- Infrared sensor
- Battery operated (battery type 6V CR-P2, included) with low battery indicator
- Pre-set temperature
- Temporary water stop feature for cleaning
- Aerated spray
- Pop-up assembly not included
- $\frac{3}{8}$ " hoses

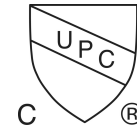
Item details

List Price \$ 1,000.00

Technology



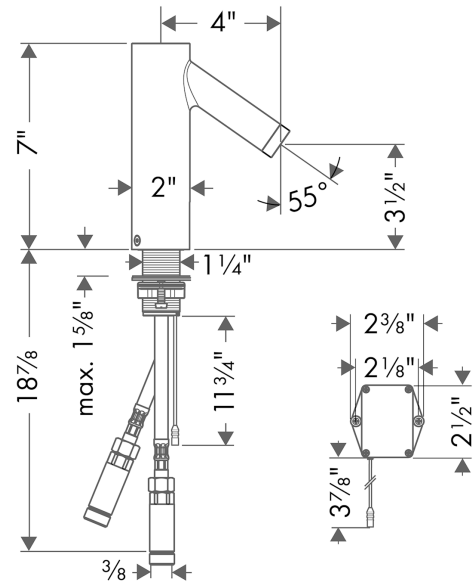
Compliance



Product image



Scale drawing



AXOR Starck

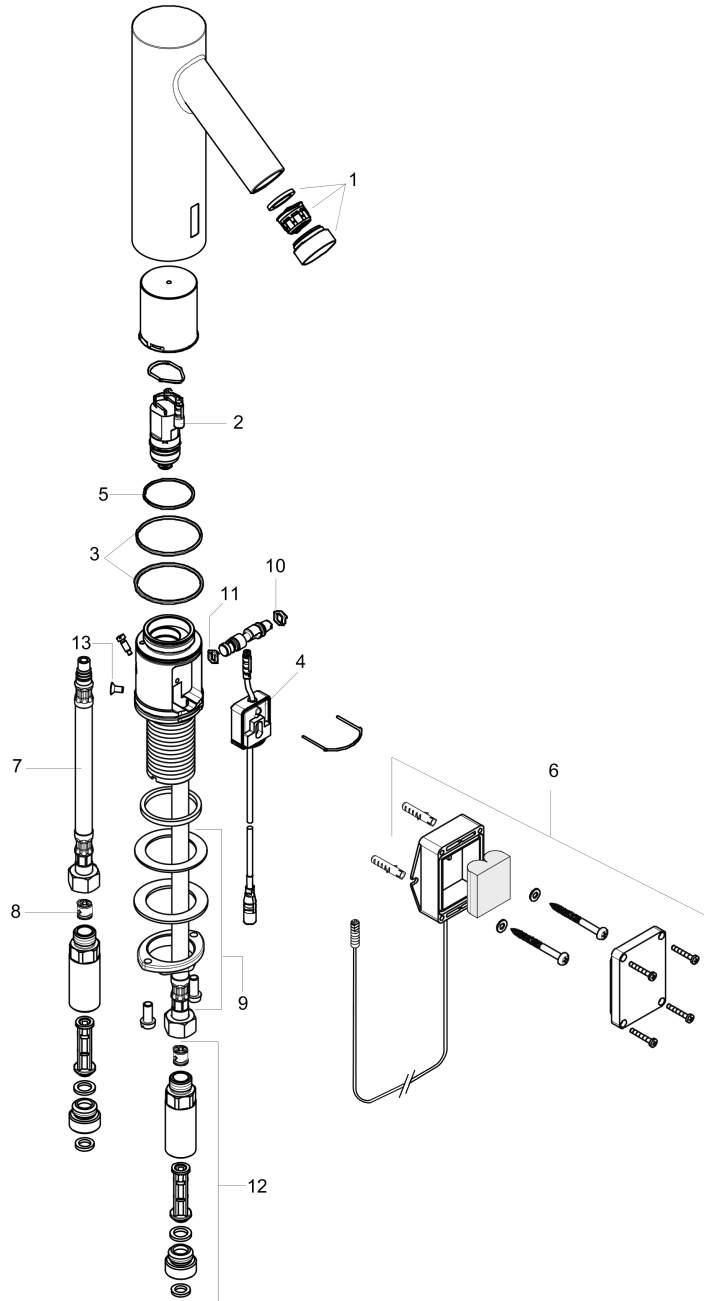
Axor Starck Electronic Faucet with Preset Temperature Control

Finishes : chrome Part no. : 10106001



Exploded drawing

Year of production: >04/17



AXOR Starck
Axor Starck Electronic Faucet with Preset Temperature Control

 Finishes : **chrome** Part no. : **10106001**

Spare parts list

Year of production: >04/17

Pos.	Description	Part no.	Price	PU
1	aerator M24x1 (1,9 l/min)	93081000	-	1
2	solenoid valve	95654000	-	1
3	O-ring 41x2	98212000	-	1
4	electronics incl. solenoid valve	98803000	-	1
5	O-ring 31x2	98204000	-	1
6	battery box	98801000	-	1
7	connection hose 450 mm	92345001	-	1
8	non return valve DW 10	96456000	-	1
9	fixing set (Ø 32)	13961000	-	1
10	O-ring 6x2	98458000	-	1
11	O-ring 5x2	98215000	-	1
12	back flow preventor cartridge with microfilter	92297001	-	1
13	screw	93272000	-	1